

## Infinity

### 6 in 1 Premium Bathroom Heater



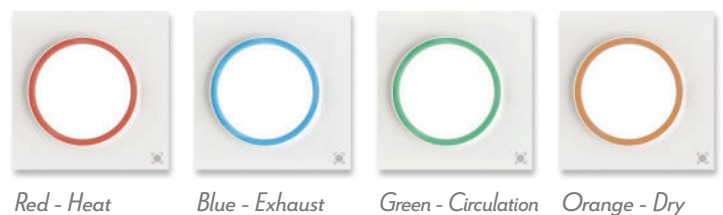
#### Description

The INFINITY 6-In-1 Premium Bathroom Heater offers an ultra-modern slimline twin circle design, as well as the latest technology in PTC bathroom heater models. Premium range offers 6-In-1 Functions – Heater, Exhaust Fan, Circulating Fan, Dry Heat, Vent and Light Unit. Patented Heat Breeze Technology heats the room while offering low level extraction to help reduce condensation build up in the bathroom. This premium line model features a single DC Motor, producing a 2150W output of powerful heat breeze, high volume extraction at 500m<sup>3</sup>/h, circulating fan to reduce warm temperature build up, and a 25W LED Tri-Colour switchable light. Mode colour indicator offers the consumer an attractive visual coloured indication to which mode is in operation. Digital temperature is displayed discreetly for viewing ambient temperature while in use. Complete with Digital Wall Controller, allowing easy switching from all modes, and an ALL-OFF button for exiting. Domus PTC Bathroom Heaters feature an advanced safety feature where the unit will automatically shut off after two hours in case it is left on accidentally. If the unit runs for two hours continuously, a safety function will automatically turn it off. This setting can be overridden and reset by pressing any switch on the controller within this two-hour period. Ideal for new installations with a slimline 615x315mm fascia frame, and a 595x280mm cutout. Accessories include Digital Controller Wall Control, 3M Flexible Duct, and Exterior Grille. All Domus PTC Bathroom Heaters are backed by our 5 Year In-Home Warranty.

#### Specification Features

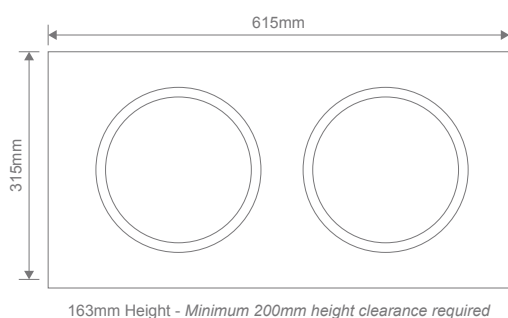
Input Voltage:	240V AC		
Power (W):	2250W		
Motor Wattage (W):	45W DC		
Fan Size:	45W		
Air Extraction:	500m <sup>3</sup> /h		
Heat Wattage:	2150W		
Heat Type:	PTC Heating Element		
Light Wattage:	25W LED		
IP Rating (IP):	IPX2		
Decibel Rating (dB):	≤48dB		
CCT:	3000K - 4000K - 5000K (Changeable)		
Lumen Output	3000K 1500lm	4000K 1850lm	5000K 1750lm

CRI: ≥80  
 Cutout: 595x280mm  
 Fascia Size: 615x315mm  
 Duct Size: 150mm  
 Product Weight: 7.3Kg  
 Accessories: 8-Switch Digital Wall Controller, 3M Flexible Duct, Exterior Grille



#### Diagrams / Additional

Item No.	Variant	CCT
INFINITY	56010	TRIO



White Wall Controller (Included)



Horizontal Switchplate Film Cover (Included)



Coloured Vertical Switchplate Film Covers (Sold Separately)